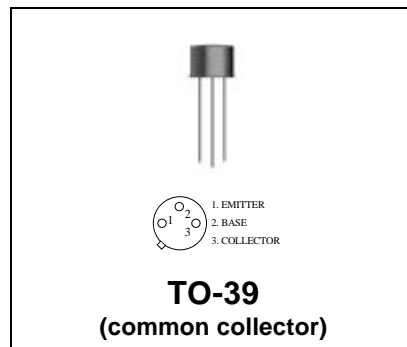


MRF607

**RF & MICROWAVE DISCRETE
 LOW POWER TRANSISTORS**

Features

- 12.5V Silicon NPN, To-39 packaged VHF & UHF Transistor
- 1.75 Watt Minimum Power Output @ 12.5V, 175 MHz
- 11.5 minimum Gain @ 12.5V, 175 MHz
- 50% Efficiency @ 12.5V, 175 MHz



DESCRIPTION:

Silicon NPN transistor, designed for VHF and UHF equipment. Applications include amplifier; pre-driver, driver, and output stages.

ABSOLUTE MAXIMUM RATINGS (T_{case} = 25°C)

Symbol	Parameter	Value	Unit
V _{CEO}	Collector-Emitter Voltage	16	Vdc
V _{CBO}	Collector-Base Voltage	36	Vdc
V _{EBO}	Emitter-Base Voltage	4.0	Vdc
I _C	Collector Current	330	mA

Thermal Data

P _D	Total Device Dissipation @ T _A = 25°C Derate above 25°C	3.5 28	Watts mW/ °C
----------------	---	-----------	-----------------

ELECTRICAL SPECIFICATIONS (T_{case} = 25°C)

STATIC
 (off)

Symbol	Test Conditions	Value			Unit
		Min.	Typ.	Max.	
BV _{CES}	Collector-Emitter Breakdown Voltage (I _C = 25 mA _{dc} , V _{BE} = 0 V _{dc})	36	-	-	V _{dc}
BV _{CEO}	Collector-Emitter Sustaining Voltage (I _C =25 mA _{dc} , I _B =0)	16	-	-	V _{dc}
BV _{EBO}	Emitter-Base Breakdown Voltage (I _E = .5 mA, I _C = 0)	4.0	-	-	V _{dc}
I _{CEO}	Collector Cutoff Current (V _{CE} = 10 V _{dc} , I _B = 0)	-	-	.3	mA

(on)

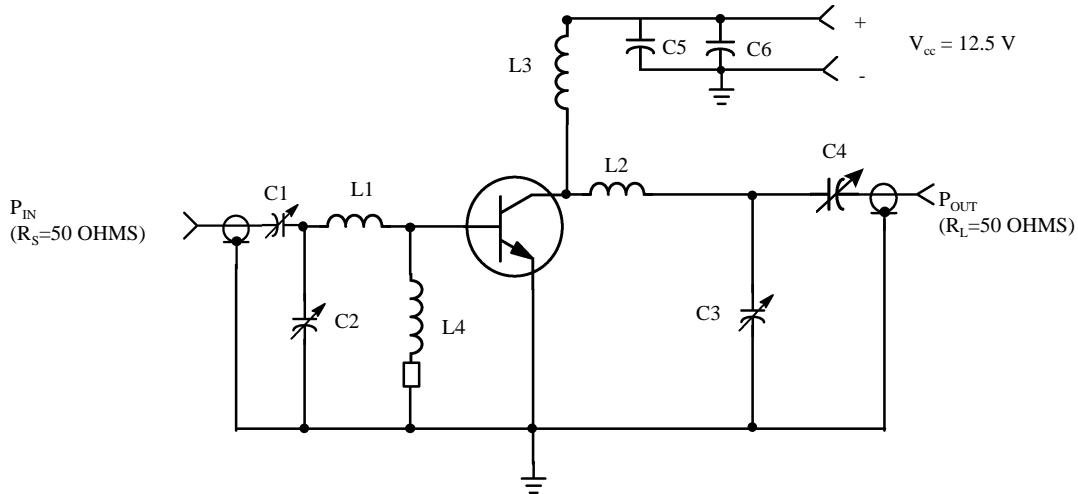
HFE	DC Current Gain (I _C = 50 mA _{dc} , V _{CE} = 5.0 V _{dc})	20	-	150	-
-----	--	----	---	-----	---

DYNAMIC

Symbol	Test Conditions	Value			Unit
		Min.	Typ.	Max.	
COB	Output Capacitance (V _{CB} = 12 V _{dc} , I _E = 0, f = 1.0 MHz)	-	-	15	pF

FUNCTIONAL

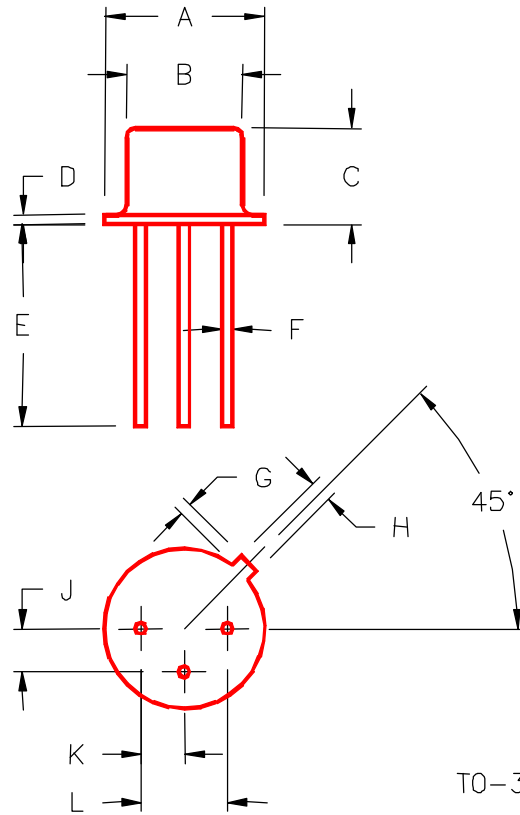
Symbol	Test Conditions		Value			Unit
			Min.	Typ.	Max.	
G _{PE}	Power Gain	Test Circuit-Figure 1 P _{out} = 1.75W, V _{CE} = 12.5V _{dc} f = 175 MHz	11.5	-	-	dB
η _c	Collector Efficiency	Test Circuit-Figure 1 P _{out} = 1.75W, V _{CE} = 12.5V _{dc} f = 175 MHz	50	-	-	%



**Figure 1 - 175 MHz RF AMPLIFIER CIRCUIT FOR G_{PE} ,
 AND EFFICIENCY SPECIFICATIONS.**

- | | | | |
|--------|----------------------|----|---|
| C1 | 2.7-15 pF, ARCO 461 | L1 | 1 TURN #20 AWG, 3/8" I.D. |
| C2 | 9.0-180 pF, ARCO 463 | L2 | 3 TURNS #20 AWG, 3/8" I.D. |
| C3, C4 | 5.0-80 pF ARCO 462 | L3 | 0.22 μ H MOLDED CHOKE |
| C5 | 1000 pF UNELCO | L4 | 0.15 μ H MOLDED CHOKE WITH
TANTALUM FERROXCUBE 56-590-65-3B
BEAD ON GROUND LEAD |
| C6 | 5 μ F, 25 Vdc, | | |

PACKAGE STYLE M246



T0-39

	MINIMUM INCHES/MM	MAXIMUM INCHES/MM		MINIMUM INCHES/MM	MAXIMUM INCHES/MM
A	.350/8,89	.370/9,40	J	.095/2,41	.105/2,67
B	.315/8,00	.335/8,51	K	.095/2,41	.105/2,67
C	.240/6,10	.260/6,60	L	.190/4,83	.210/5,33
D	.015/0,38	.045/1,14			
E	.500/12,70				
F	.016/0,41	.019/0,48			
G	.029/0,74	.040/1,02			
H	.028/0,71	.034/0,86			